

## IP20 IO AMAX POWER IN-DI4

### 4-ch DI EtherCAT Slice IO Power Input Module



**Power Input, 4-ch Digital Input EtherCAT Slice IO Module, 24VDC, 4 ms**

AMAX-5001 is a smart power input module. It supports dual power - external 24VDC power input, and a maximum 2A current to the EtherCAT bus to power the IO modules on the right side. AMAX-5001 has a smart diagnostic function to identify power errors on the external power supply and on the internal bus. Status on the process data is shown on the LED. AMAX-5001 is also equipped with 4-ch digital Input. The AMAX-5580 controller does not provide power to the right side EtherCAT bus, due to power independent purpose, AMAX-5001 must be the first module on the right side to provide independent power to the EtherCAT bus. In configuration with large number of IO modules, it is possible to use another AMAX-5001 to provide the extra 2A power to the EtherCAT bus. It supplies power to the modules following on the right side, and isolates them from the power on the left side.

---

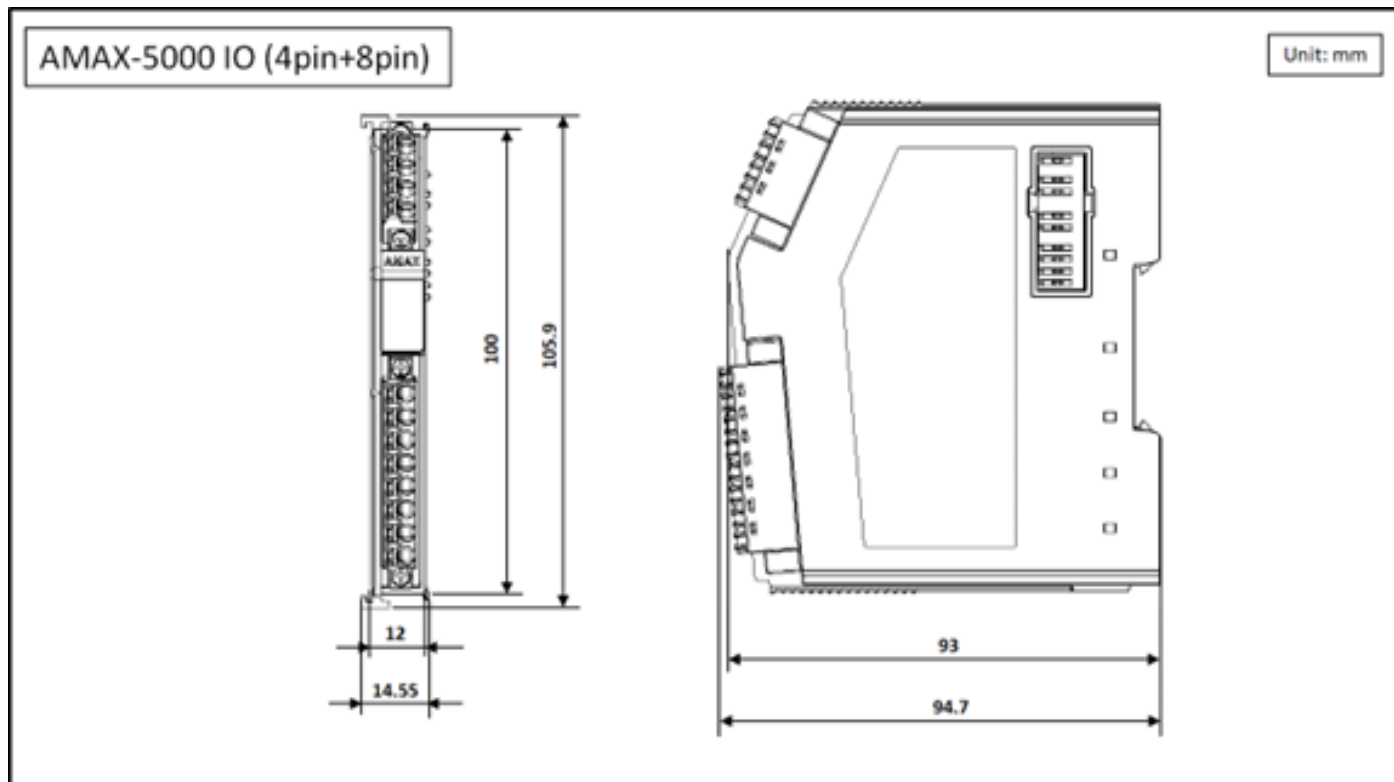
#### ORDER DETAILS

**Function:** 4 Input module, 100Mbps EtherCAT, Dual power Input, Removable push-in terminals, Diagnosis function.

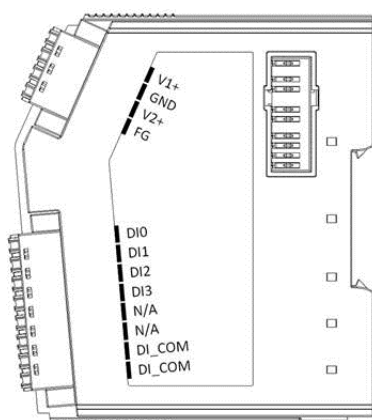
**SKU/Order No.:** SA-AMAX-5001



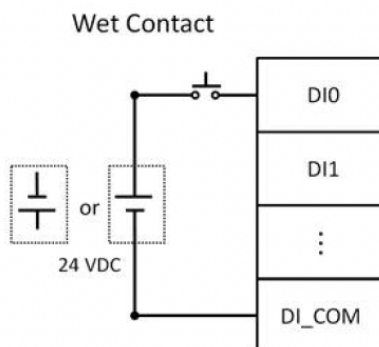
## Mechanical Dimensions



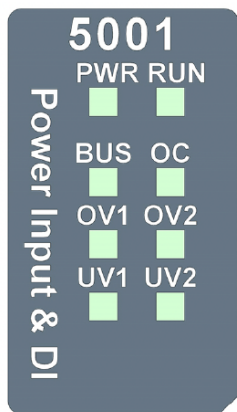
## Drawings



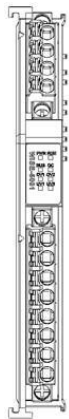
AMAX-5001 Module Side View



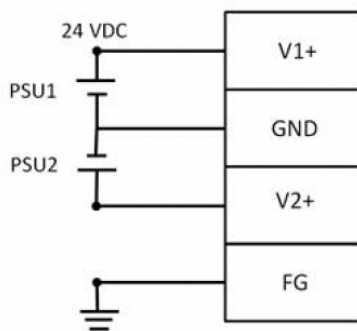
Wiring for AMAX-5001 Lower Connector Digital Input



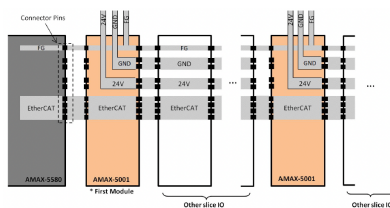
AMAX-5001 Module LEDs



AMAX-5001 Module Front View



Wiring for AMAX-5001 Upper Connector Power Input



AMAX-5001 Application drawing

## Technical Data

### Input Data

Power Consumption (max.)	24 VDC $\pm$ 20%
Input Peak Current	2 A
Diagnosis Function	Over (30 V) / Under (10.7 V) voltage for input 1&2, Over current (2 A) output on bus
Power Consumption (max.)	2 W @ 24 VDC

### Digital Input

Input channels	4-channel
Rated Voltage	24 VDC
Logic Level 1 rating	10 ... 30 VDC and -30 ... -10 VDC
Logic Level 0 rating	-3 ... 3 VDC
Digital Input Delay from logic level 0 to 1	4 ms
Digital Input Delay from logic level 1 to 0	4 ms
Digital Input Current	Logic level 1: 1.3 mA ... 4 mA (10 V ... 30 V)
Digital Filter	3 ms

### Interface

LED Panel	PWR, RUN / ERROR, Power Diagnosis LED
-----------	---------------------------------------

### Isolation

Isolation	2,000 VDC
-----------	-----------

### Mechanical Data

Weight (typ.)	80 g
Wire Width	0.25 ... 1.5 mm <sup>2</sup>
Connector	Pluggable 4 Pole + 8 Pole push-in terminal

**Dimensions**

Width (mm)	12 mm
Height (mm)	106 mm
Depth (mm)	95 mm

**Certification**

Certification	FCC class A
---------------	-------------

**Ambient Condition**

Ambient Temperature (start-up type tested)	-25 ... 60 °C (-14 ... 140°F)
Ambient Temperature (storage/transport)	-40 ... 85 °C (-40 ... 185 °F)
Operating Humidity (non-condensing)	5 ... 95 % RH @ 40°C